

PATENT ABSTRACTS OF JAPAN

(11)Publication number : 05-242057
 (43)Date of publication of application : 21.09.1993

(51)Int.Cl. G06F 15/16
 G06F 9/445

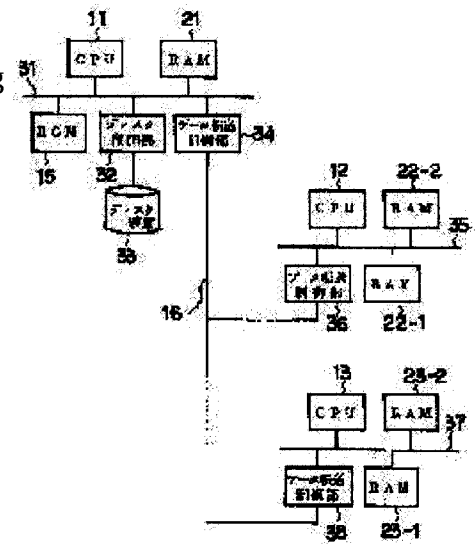
(21)Application number : 04-041722 (71)Applicant : SANYO ELECTRIC CO LTD
 (22)Date of filing : 27.02.1992 (72)Inventor : NAKAMURA KENICHI

(54) METHOD FOR STARTING MULTI-PROCESSOR SYSTEM

(57)Abstract:

PURPOSE: To attain miniaturization, reduction in power consumption and the simplification of a manufacturing process by providing a read-only memory on only one central processing unit and performing the boot of respective central processing units with the execution of an initial loader program stored in the memory.

CONSTITUTION: A first CPU 11 boots according to the boot loader stored in a ROM 15. In other words, self-diagnosis such as check-sum of a RAM 21 is firstly performed, then a disk device 33 is checked, and after the boot loader for a second CPU 12 is temporarily read from the disk device 33 into the RAM 21, it is transferred to the RAM 22-1 of the second CPU 12 by a data transfer control part 34, and at the same time, a resetting signal is sent to the second CPU 12. Then the first CPU 11 temporarily reads the boot loader for the third CPU 13 from the disk device 33 into the RAM 21, thereafter, transfers it to the RAM 23-1 of a third CPU 13, and at the same time, transmits a resetting signal to the third CPU 13.



LEGAL STATUS

[Date of request for examination] 07.03.1995
 [Date of sending the examiner's decision of rejection] 07.04.1998
 [Kind of final disposal of application other than the examiner's decision of rejection or application converted registration]
 [Date of final disposal for application]
 [Patent number]
 [Date of registration]
 [Number of appeal against examiner's decision of rejection]
 [Date of requesting appeal against examiner's decision of rejection]
 [Date of extinction of right]